

# Adept AnyFeeder™

## Flexible Manufacturing

made possible  
through  
frequent and rapid  
part changeover  
on the same  
AnyFeeder

## Specifications

Payload	
Hopper	10 kg / 22 lb (max)
Field of Vision	240 mm x 320 mm
Connections	
Electrical	1
Pneumatic	1
Serial	1
Digital I/O Channels	8 Inputs 12 Outputs
Weight	35 kg / 77 lb
Power Requirements	24 VDC 10 A
Air Requirements	6 bar / 87 psi compressed air, unlubricated
Environmental Requirements	
Temperature	5 - 40 °C
Humidity	5 - 90% (non-condensing)
CE Compliant	



The Adept AnyFeeder addresses flexible feeding needs for various bulk goods. This non-traditional feeding mechanism replaces the need for dedicated feeders. The AnyFeeder is designed to work with a variety of Adept robots, such as the Adept Cobra™ s600. In combination with Adept Vision software and Adept controller, it provides an efficient and fast feeding solution, allowing manufacturing to become more flexible.

### Product Features

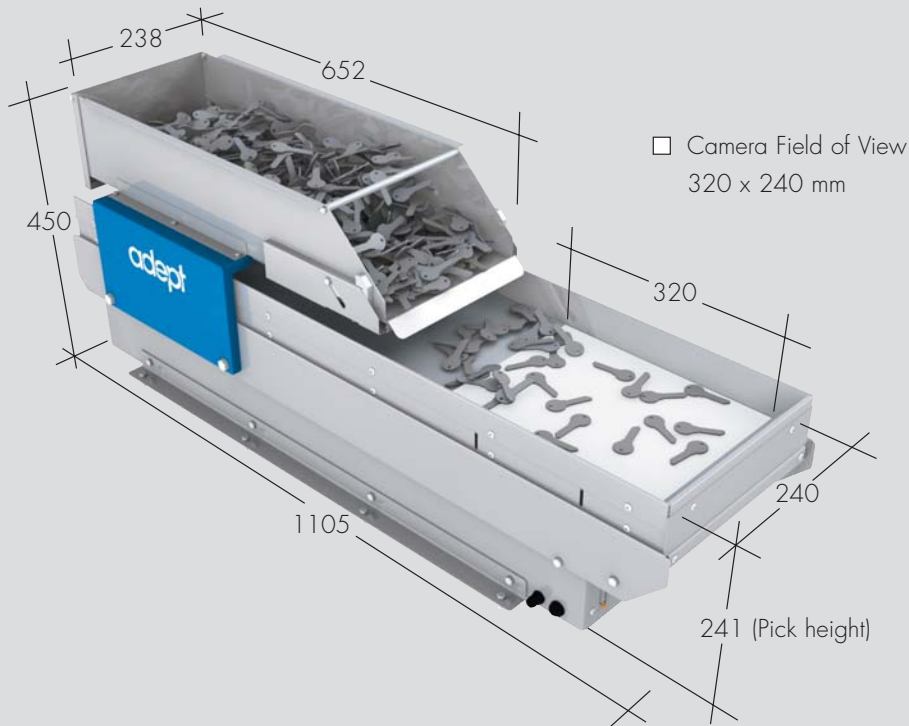
- Brushless servo drives
- Rugged, conveyor-less design
- Integrated bulk feeder
- Precise part presentation platform
- Fast feed, flip, purge
- Automatic purge
- Quick change feed surfaces
- ESD feed surfaces
- Stainless steel design

### Benefits

- Feeds a multitude of products
- Eliminates multiple feeder systems
- Rapid part changeover
- No fixturing required
- Increases productivity
- Dual configuration further increases productivity
- Feeds various material types including plastic, rubber, metal, glass, and others.

# Adept AnyFeeder™

## Dimensions Adept AnyFeeder (mm)



### The Adept AnyFeeder system includes the following:

- Adept AnyFeeder (with standard white surface)
- AIM Plug-in Software
- Power/Serial/Parallel DIO cables
- Manual

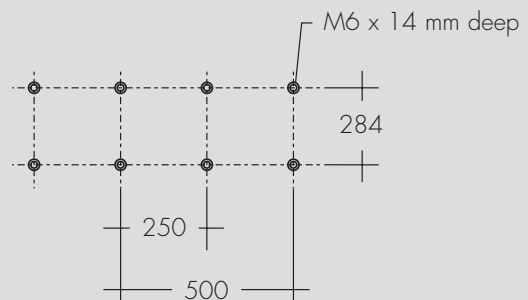
### Options:

- Backlight
  - Red (LED)
  - White (LED)
  - Infrared
- Feed Surfaces
  - Standard White (base)/Black
  - Textured White / Black
  - FDA Approved
  - ESD

### Downloads:

Various CAD file formats and additional information are available under [www.adept.com](http://www.adept.com)

### Drill Hole Pattern Foot Plate (mm)



Adept Technology, Inc. 3011 Triad Drive, Livermore, CA 94551

Tel: 925-245-3400 Fax: 925-960-0452 Email: [info@adept.com](mailto:info@adept.com)

[www.adept.com](http://www.adept.com)

Specifications subject to change without notice.

©2007 Adept Technology, Inc. All rights reserved. Adept and the Adept logo are registered trademarks, and the Adept AnyFeeder is a trademark of Adept Technology, Inc. All other trademarks are the property of their respective holders. AAFDS0707