

Adept FlexiBowl 350



The Adept FlexiBowl® 350 is an innovative feed solution for use with any Adept robot and vision system. The feeder is designed to handle a wide array of loose small parts including parts of different shapes and materials. The FlexiBowl is capable of carefully and quickly feeding parts that are tangled, made of different materials, parts that are fragile cylindrical, or even oiled. Unlike traditional vibratory feeders, which must be manually reset for each new part, the FlexiBowl combined with an Adept vision system can continuously accept and feed new parts significantly speeding product changeover. Utilizing a direct-drive motor, the Adept FlexiBowl operates reliably and quietly and is extremely easy to operate. Its circular band tracking permits the removal of parts during movement delivering higher throughput and its unique design delivers a more flexible and efficient alternative to traditional vibration feeders. The Adept FlexiBowl is versatility delivered!

Product Features

- Direct drive
- Serial interface connections
- Encoder Latching
- Infra-red backlighting
- Status LED
- Interchangeable Conveying Surface
- Small Footprint
- Quick and smooth installation
- Handles Variety of Parts:
 - Parts with cylindrical shapes
 - Rubber and Silicone
 - Lubricated Parts
 - Fragile parts
 - Tangled parts

Product Benefits

- Simple and robust construction
- Easy maintenance and cleaning
- Extremely low noise
- Throughput: 30 - 60 parts / minute
- Fast part exchange
- Circle strip tracking, high throughput

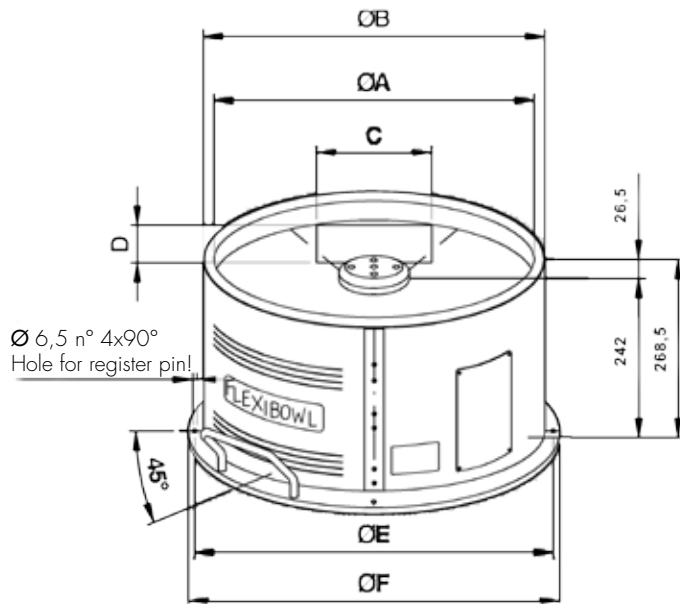
Specifications

Capacity (max.)	2 kg
Acceptance (range) diameter	325 mm
Weight	35 kg
Digital inputs / outputs	6 inputs / 5 outputs
Interfaces	
Ethernet	
Digital I/O	
Power Requirements	
220 VAC, 6 A	
24 VDC, 3A	
Air Requirements	
Compressed air 6 bar	
Un-lubricated	
Environmental Requirements	
Temperature	5 °C to 40 °C
Humidity	5 % to 90 %
Non-condensing	



ADEPT FLEXIBOWL 350

Dimensions Adept FlexiBowl 350 (mm)



Dim. (mm)	FlexiBowl 350
A	325
B	350
C	100
D	80
E	384
F	404

Components Included

The Adept FlexiBowl system includes the following components:

- Adept FlexiBowl
- Conveying Surface
- 24v Connector
- User Guide

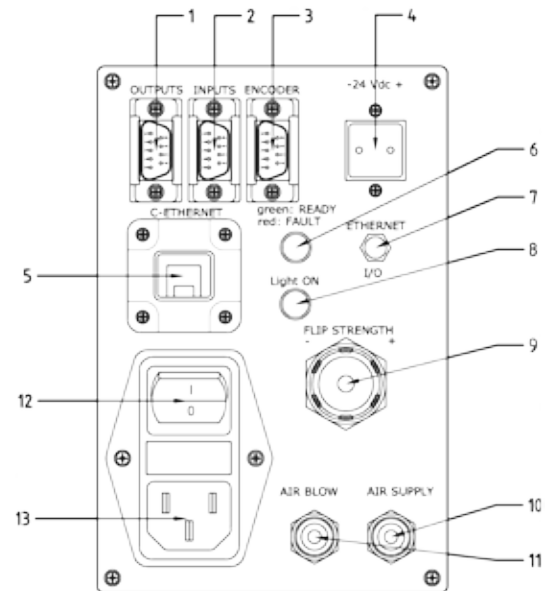
Optional Accessories

- Infrared, Red or White Backlight
- Additional Feed Surfaces

Downloads

For CAD data in various formats (2D and 3D) and more descriptions of the FlexiBowl see www.adept.com.

Interfaces



No.	Description
1	Outputs
2	Inputs
3	Encoder
4	24 VDC Connection
5	Ethernet Connector
6	LED Status
7	Ethernet <-> I/O Selector
8	LED Backlight Status
9	Compressed Air Regulator
10	Compressed Air Connection
11	Blowing Air Connection
12	Power Switch
13	220 V Connection



Adept Technology, Inc. 5960 Inglewood Drive, Pleasanton, CA 94588

Tel: 925-245-3400 Fax: 925-960-0452 Email: info@adept.com

www.adept.com

Specifications subject to change without notice.

©2013 Adept Technology, Inc. ALL RIGHTS RESERVED. The information provided in this communication or document is the property of Adept Technology, Inc. and is protected by copyright and other intellectual property laws. In addition, any references to any Adept Technology, Inc. products are the marks and property of Adept Technology, Inc. [and may be registered trademarks]. All other trademarks or tradenames are the property of their respective holders.